

**INFORMATION**

The typical design of a Fresnel lens instrument consists of placing the lamp (light source) at (or very near to) the focal point of the lens to achieve a "SPOT". This being the furthest point from the lens, typically the fixture housing is designed around this maximum distance. Our design allows us to shrink such fixture by at least one third in depth. We basically devised a variable geometry unit in which the overall housing has been split in two collapsible parts.

The Drop-in Fresnel lenses are removable allowing quick access to the popular "Open Eye" (no lens) sharp shadow projection mode. Two Fresnels are offered: a Soft (74 x 25 degrees beam patterns) and a Spot (44 x 6 degrees). Precise lamp and reflector positioning insure a clean light and shadow quality. Double shadowing has been eliminated in either mode.

SPECIFICATIONS

Main Housing: Aluminum casting, high temperature black epoxy. This housing is made of two interlocking sliding parts. The front ring supports the lenses and accessories holders as well as pole plugs for lightbanks. The Back Cover supports the striker compartment, the lamp cradle, the mirror and the safety switch. The back cover is mounted on hinges for ease of maintenance or replacement by the Tungsten back option.

Mirror: Specular spherical. Aluminum 90% reflectance electrolytically coated.

Focusing: By means of a rack and pinion system actuated by the side knob.

Safety Glass: Borosilicate UV Filter tempered.

Yoke: 5/8" Baby size. Tubing black epoxy finish. Connection to stand allows three axis positioning. Ratchet handle applies very firm pressure to disk brake.

Lamp: MSR 400-HR, 5600 Kelvin, 600 hours life.

Power Supply: Electronic, square wave flicker free. AC input: 90-132 Volt or by sliding selector switch: 180-265V. 50-60Hz. Dual function ON/OFF push button switch. Completely silent (convection cooled).

Connectors: Molded Veam quarter turn quick locking.

Extension Cable: 25 feet, 8 feet attached to the head.

Accessory Size: 6 1/2" – 6 5/8"

Accessories: Barndoor, Tungsten Back, Scrims.

Tungsten Lamp: FRG = 500W 110V, FRK = 500W 220V



PHOTOMETRICS



Open Eye 105°

Distance	Foot Candles	
	105°	
3'	856	
6'	214	
10'	77	
15'	34	
20'	19	
25'	12	
30'	9	
35'	6	
40'	5	



Spot 44° x 6'

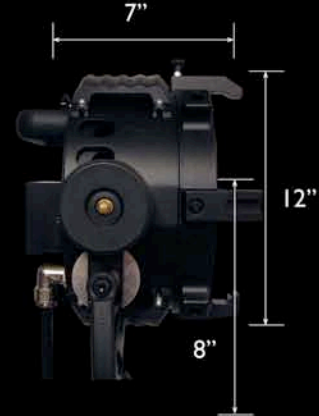
Distance	Foot Candles	
	Flood 44°	Spot 6'
3'	2,224	23,224
6'	556	5,806
10'	200	2,090
15'	89	929
20'	50	523
25'	32	334
30'	22	232
35'	16	171
40'	13	131



Wide 74° x 25'

Distance	Foot Candles	
	Flood 74°	Spot 25'
3'	1,576	4,168
6'	394	1,042
10'	142	375
15'	63	167
20'	35	94
25'	23	60
30'	16	42
35'	12	31
40'	9	23

DIMENSIONS



Weight: 7 lbs (3.18 kg)



Weight: 6 lbs (2.72 kg)